

ADR SERIES

Active Dose Reduction Module

*Leading Technologies.
Powered by*



www.cpii.com



BENEFITS

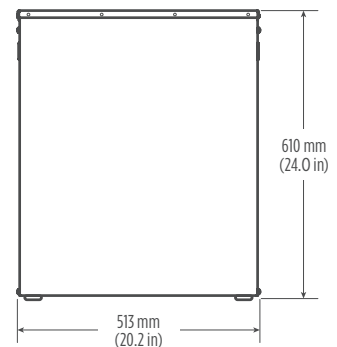
- Improve Patient Safety
- Reduce X-Ray Exposure to Patient and Clinician
- Enhance Image Quality
- Increase Performance of X-Ray Tube
- Suppress Blurring of moving tissues and structures

Active Dose Reduction Module (ADR)

- Ideal for use in Pulsed Fluoroscopy procedures
- Significantly reduces unwanted x-ray exposure to patient by up to 36%
- Discharges energy in high voltage cables at the end of exposure
- Alternative to X-ray tube grid controller

Active Dose Reduction 2 Module (ADR2)

- Grid controller for X-ray tube
- Provides all of the benefits of ADR
- Extremely fast rise and fall times at the beginning and end of each exposure
- Completely eliminates effect of cable capacitance on output dose



ISO 13485:2016
REGISTERED

ISO 9001:2015
REGISTERED



**Communications
& Power Industries**

**Satcom and Medical Division
Medical Products**

Hot Line Tel: +1 888-CPI-XRAY

tel: +1 905-877-0161

email: CANmarketing@cpii.com

web: www.cpii.com

For more detailed information, please refer to the corresponding CPI technical description if one has been published, or contact CPI. Specifications may change without notice as a result of additional data or product refinement. Please contact CPI before using this information for system design.

©2020 Communications & Power Industries LLC. Company proprietary; use and reproduction is strictly prohibited without written authorization from CPI.

Registered Trademarks, excluding TÜV, are U.S. Registered Trademarks of Communications & Power Industries Canada Inc.

17 Jan 2020